

# Genuine Spare Parts

[www.stiga.com](http://www.stiga.com)

## GRAND OVERLAND 4WD

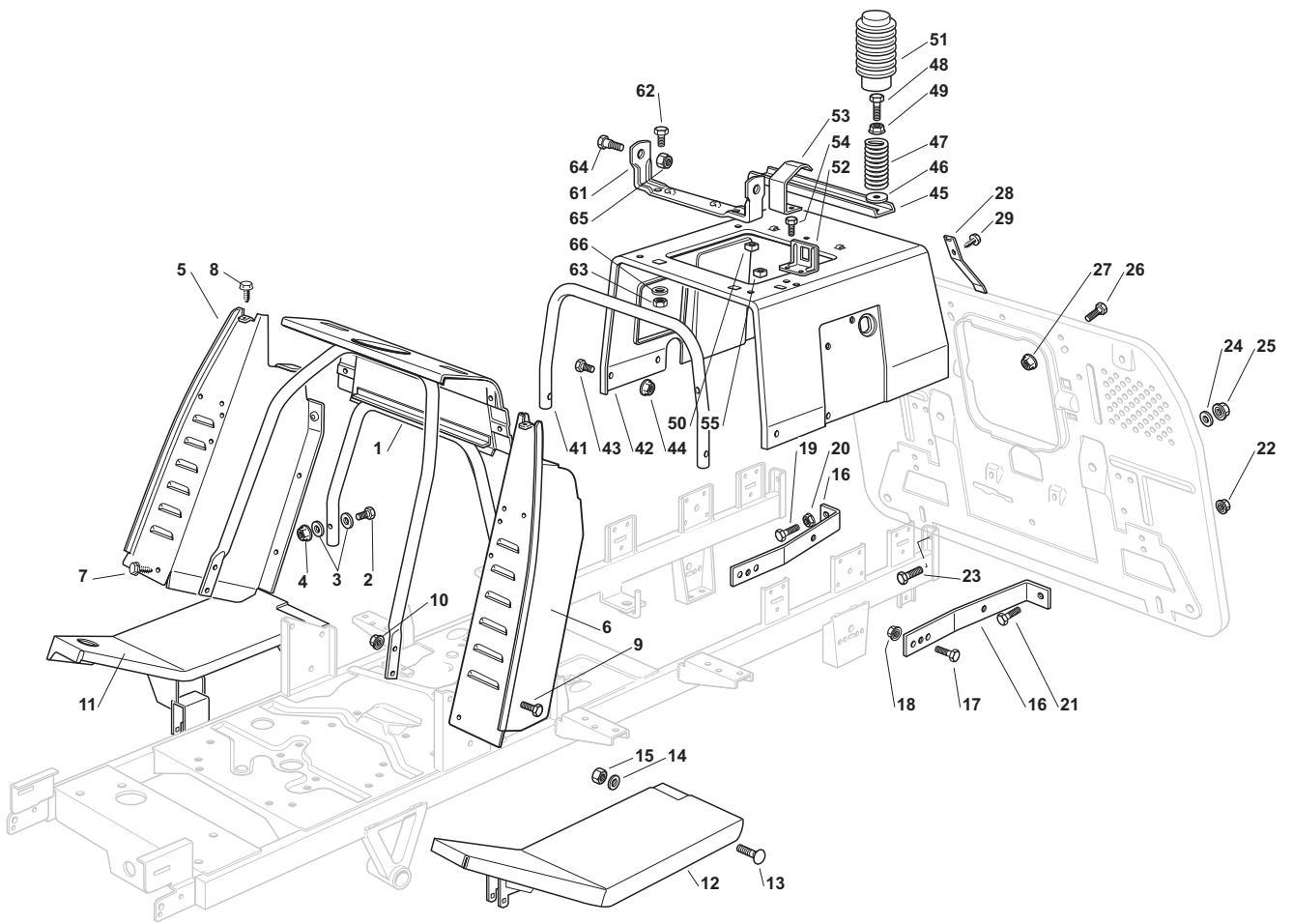
- Use GLOBAL GARDEN PRODUCT Genuine Spare Parts specified in the parts list for repair and/or replacement.
- The contents described in the parts list may change due to improvement.
- The drawings of the spare parts are only indicative and might not represent the part in question exactly.
- The indications "right" - "left" - "front" - "rear" refer to the position of the operator when using the machine.
- When placing orders of parts for repair and/or replacement, make sure that the illustrated parts list is the one applying to the machine's year of manufacture, as shown on the identification plate attached to the machine.

© Copyright 2012 Global Garden Products

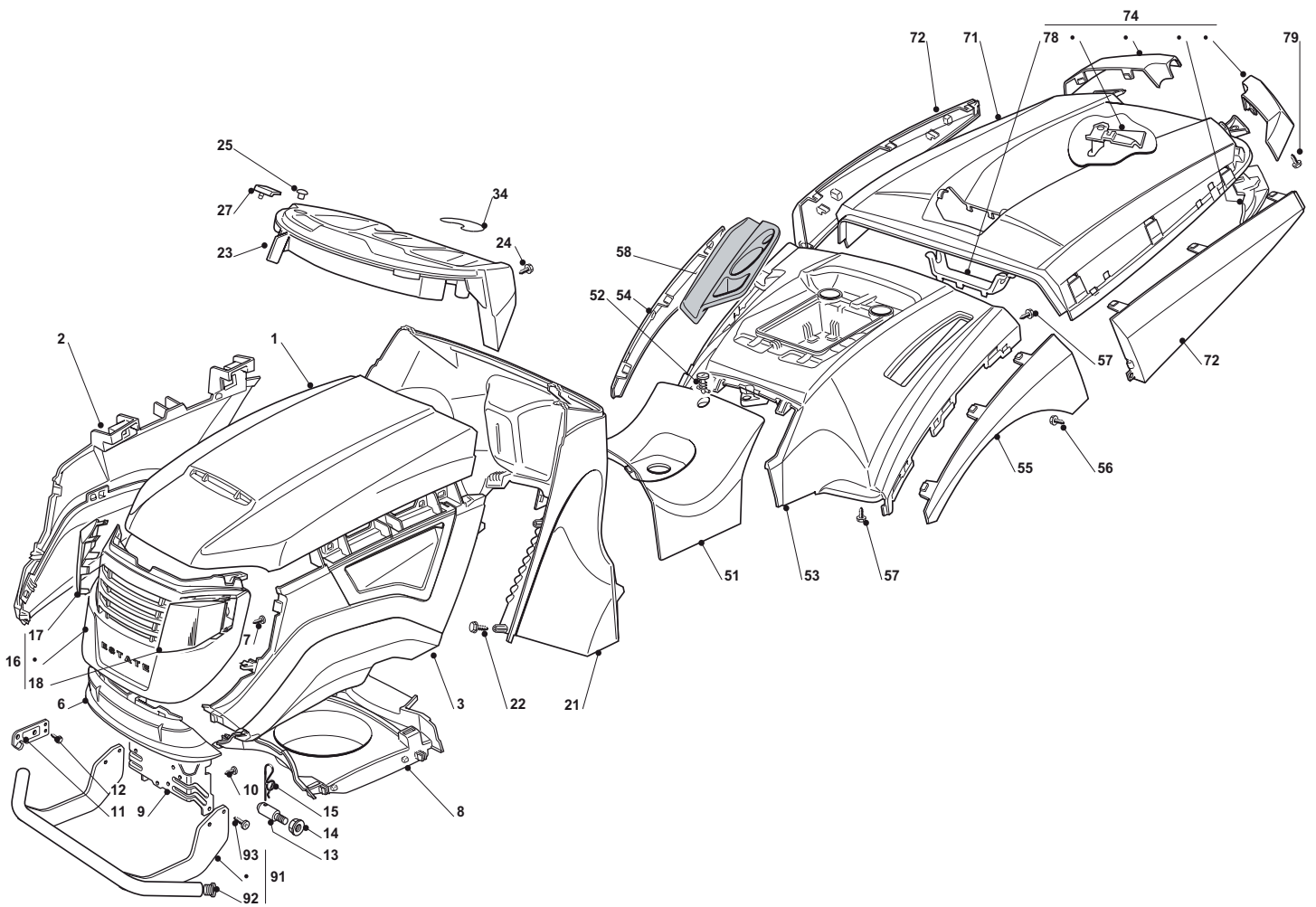
All content is subject to copyright by Global Garden Products and may not be reproduced in whole or in part by any means, electronic or otherwise, without prior written approval.

THIS INFORMATION IS NOT INTENDED FOR SALE OR RESALE, AND THIS NOTICE MUST REMAIN ON ALL COPIES.

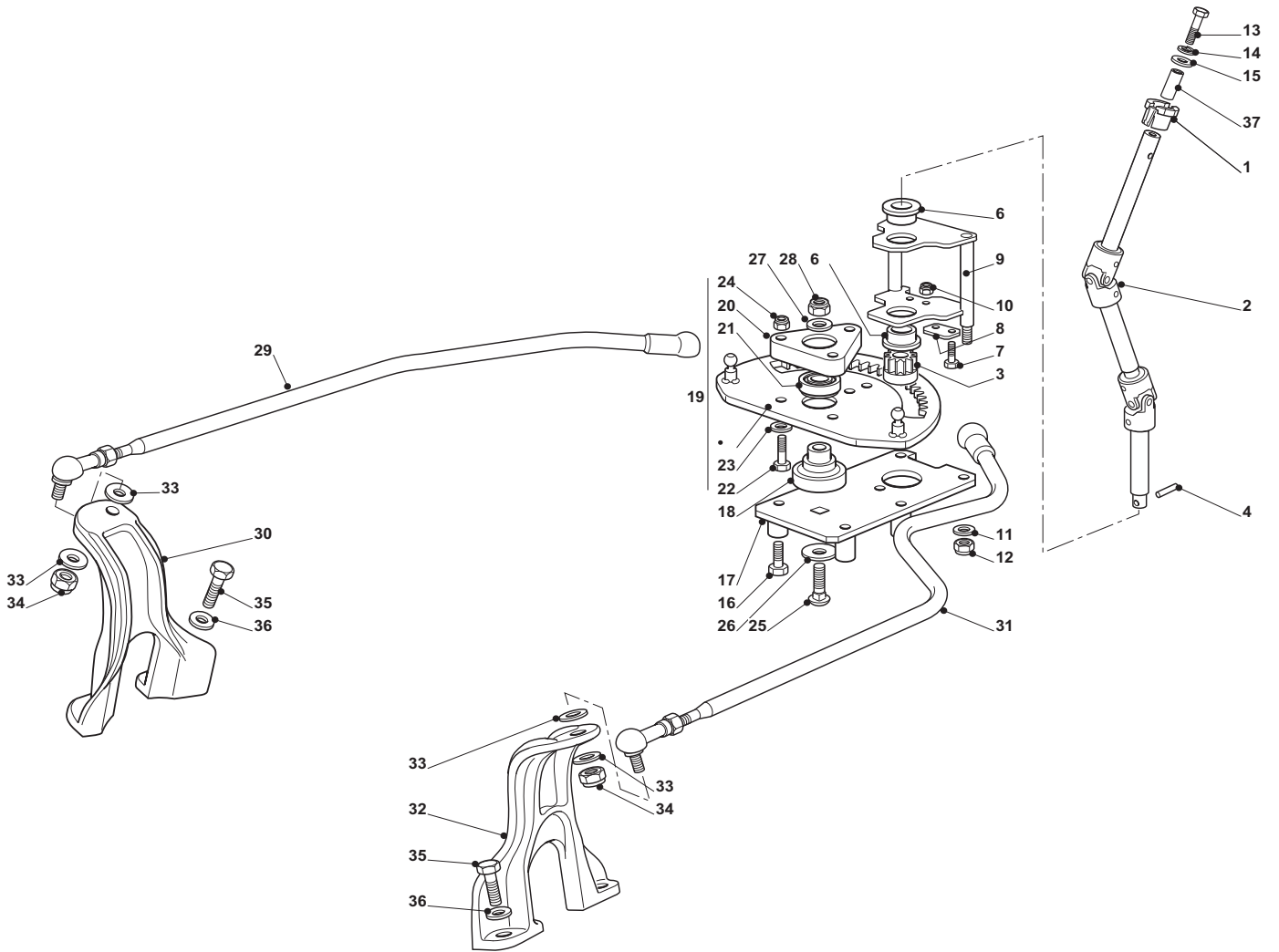




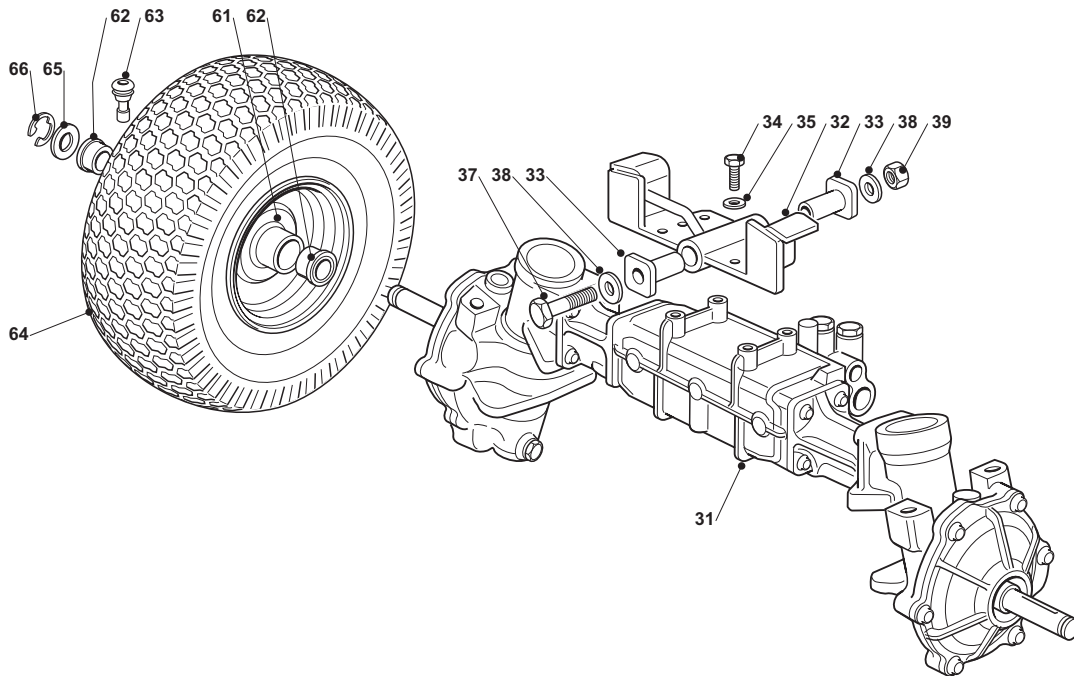
Chassis				
POSITION	CODE	Q.TY	DESCRIPTION	NOTES
1	382785247/0	1	Stiffening	
2	12674550/0	2	Screw	
3	12523040/0	4	Washer	
4	12292102/0	2	Nut	
5	382785022/9	1	Right Dashboard Supp.	
6	382785021/8	1	Left Dashboard Supp.	
7	12735110/0	2	Screw	
8	12735110/0	2	Screw	
9	12791400/0	6	Screw	
10	12292102/0	6	Nut	
11	325500046/0	1	Right Footboard	
12	325500047/0	1	Left Footboard	
13	112728689/0	4	Screw	
14	12523040/0	4	Washer	
15	112523030/0	4	Nut	
16	25774273/1	2	Stiffening	
17	12793102/0	2	Screw	
18	12293201/0	2	Nut	
19	12691100/0	1	Screw	
20	12293200/0	1	Nut	
21	12792611/0	1	Screw	
22	12293201/0	2	Nut	
23	112794300/0	2	Screw	
24	12521360/0	2	Washer	
25	12156602/0	2	Nut	
26	12791011/0	5	Screw	
27	12292102/0	5	Nut	
28	25430238/0	1	Spring	
29	12731580/0	1	Screw	
41	325869085/0	1	Stiffening	
42	325785133/4	1	Seat Support	
43	12791011/0	8	Screw	
44	12292102/0	8	Nut	
45	25650067/0	1	Stiffening	
46	12523070/0	2	Washer	
47	25430205/1	2	Spring	
48	25943001/0	2	Screw	
49	12293201/0	2	Nut	
50	12360420/0	2	Nut	
51	25737002/0	2	Hood	
52	325755025/2	1	Bracket	
53	25430255/0	1	Spring	
54	112735110/1	2	Screw	
55	12437502/0	2	Plate	
61	82774207/0	1	Seat Clamp Support	
62	12691115/0	2	Screw	
63	12293201/0	2	Nut	
64	22524970/2	2	Pin	
65	12155010/0	2	Nut	
66	12523070/0	2	Washer	



<b>Body</b>				
<b>POSITION</b>	<b>CODE</b>	<b>Q.TY</b>	<b>DESCRIPTION</b>	<b>NOTES</b>
1	25076866/0	1	Upper Engine Hood, Yellow	
2	382394611/0	1	Hood, Right	
3	382394612/0	1	Hood, Left	
6	25076865/0	1	Lower Grey Hood, Front	
7	12735403/0	6	Screw	
8	25108031/0	1	Conveyor	
9	25774301/1	1	Engine Hood Support	
10	12735403/0	5	Screw	
11	325547159/1	2	Plate	
12	12731580/0	4	Screw	
13	125510079/1	2	Pin	
14	12293201/0	2	Nut	
15	24487998/0	1	Cotter Pin	
16	82394610/0	1	Grey Hood, Front	
17	25410876/0	1	Right Grill	
18	25410877/0	1	Left Grill	
21	25785231/1	1	Dashboard Support	
22	12735403/0	7	Screw	
23	325120213/0	1	Dashboard, Black (Cruise Control)	
24	12728440/0	4	Screw	
25	25120200/0	2	Plug	
27	25260000/0	2	Grommet	
34	325207185/0	1	Cover	
51	325110394/0	1	Cover	
52	125580020/2	1	Pivot	
53	25109754/0	1	Wheels Cover	
54	25109753/0	1	Right Wheel Cover	
55	25109752/0	1	Left Wheel Cover	
56	12728686/0	2	Screw	
57	12735402/0	4	Screw	
58	325207184/0	1	Cover	
71	25110308/0	1	Grass-Catcher Cover	
72	382110255/0	1	Cover Assy	
74	382110259/0	1	Angles Assy	
78	25394009/0	1	Handle Cover	
79	12735403/0	4	Screw	
91	382869039/0	1	Muffler Protection	
92	18737860/0	2	Cap	
93	12734995/0	4	Screw	

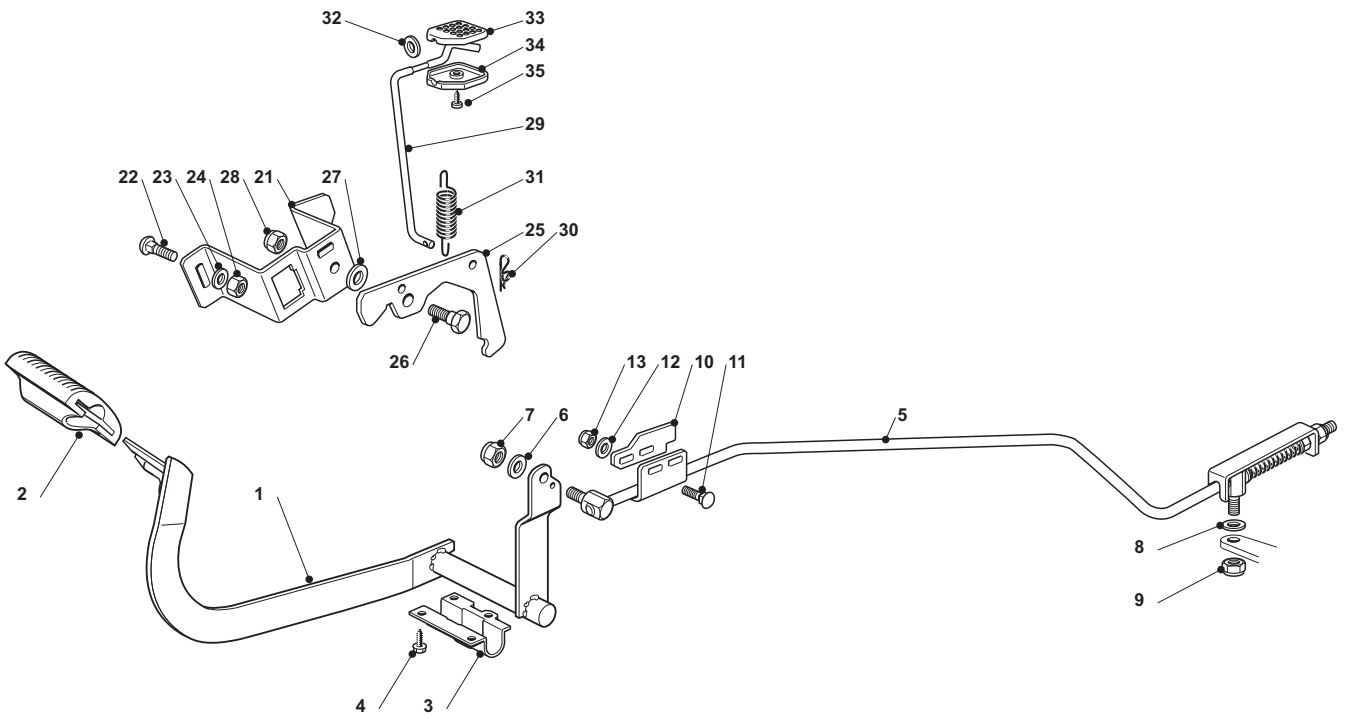


Steering				
POSITION	CODE	Q.TY	DESCRIPTION	NOTES
1	25038004/0	2	Bush	
2	382543053/0	1	Steering Column	
3	125570006/1	1	Pinion	
4	12622650/0	1	Pin	
6	25038004/0	2	Bush	
7	12788910/0	2	Screw	
8	325487000/0	1	Plate	
9	382785209/0	1	Support	
10	12154330/0	2	Nut	
11	12521360/0	2	Washer	
12	12156602/0	2	Nut	
13	12691800/0	1	Screw	
14	12583500/0	1	Grower	
15	12523060/0	1	Washer	
16	112735108/1	4	Screw	
17	382785207/0	1	Support	
18	125040641/0	1	Support	
19	382735523/0	1	Steering Shaft	
20	325774453/0	1	Clamp	
21	119216047/0	1	Bearing	
22	12691100/0	3	Screw	
23	12523060/0	3	Washer	
24	12155000/0	3	Nut	
25	112819600/0	1	Screw	
26	112521395/0	1	Screw	
27	12521370/0	1	Washer	
28	112156603/0	1	Nut	
29	382000622/0	1	Steering Rod	
30	325774491/1	1	Clamp	
31	382000624/0	1	Steering Rod	
32	325774393/0	1	Clamp	
33	12522050/0	4	Washer	
34	112155700/0	2	Nut	
35	112760585/0	4	Screw	
36	12521370/0	4	Washer	
37	125160063/0	1	Spacer	

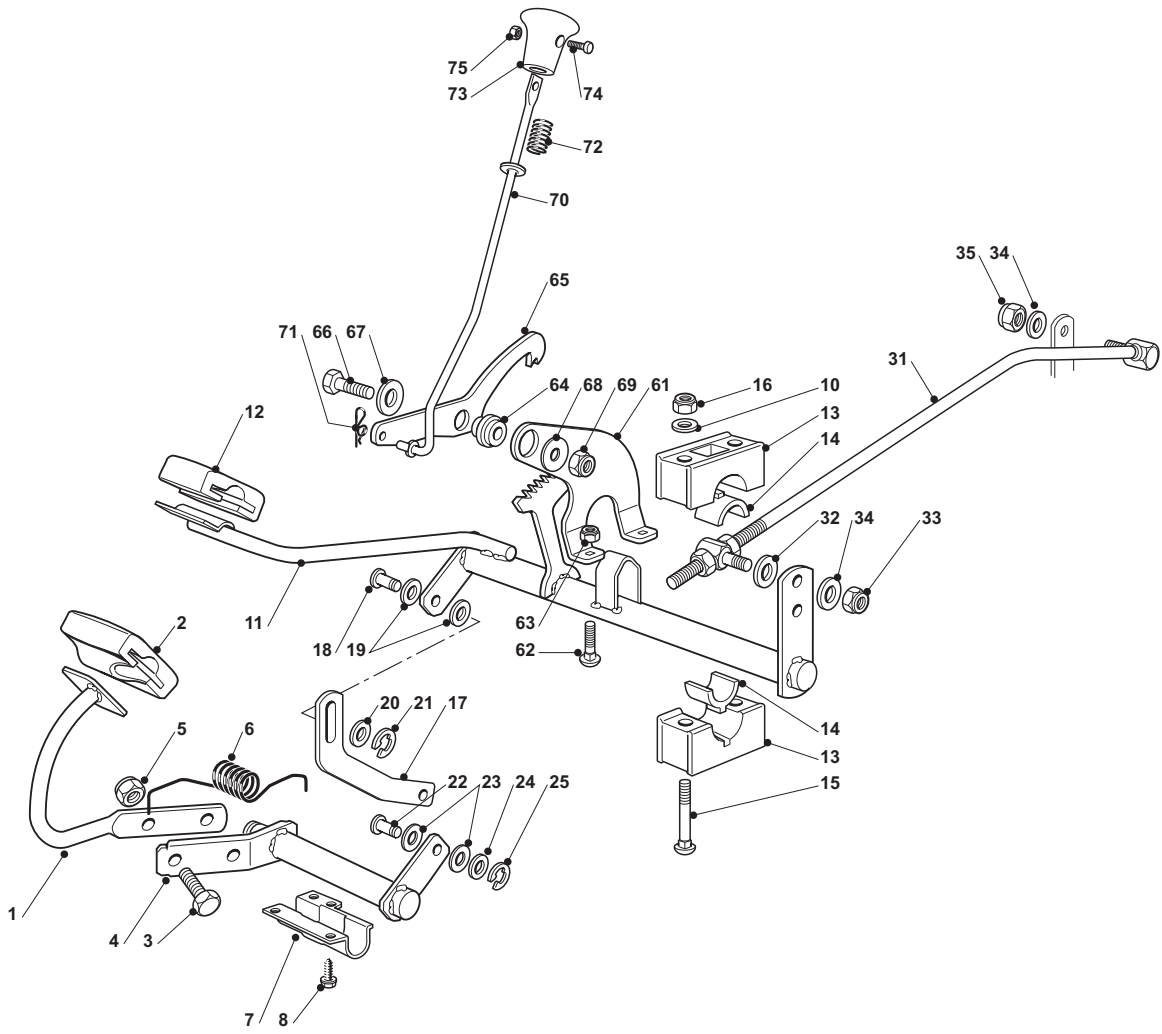




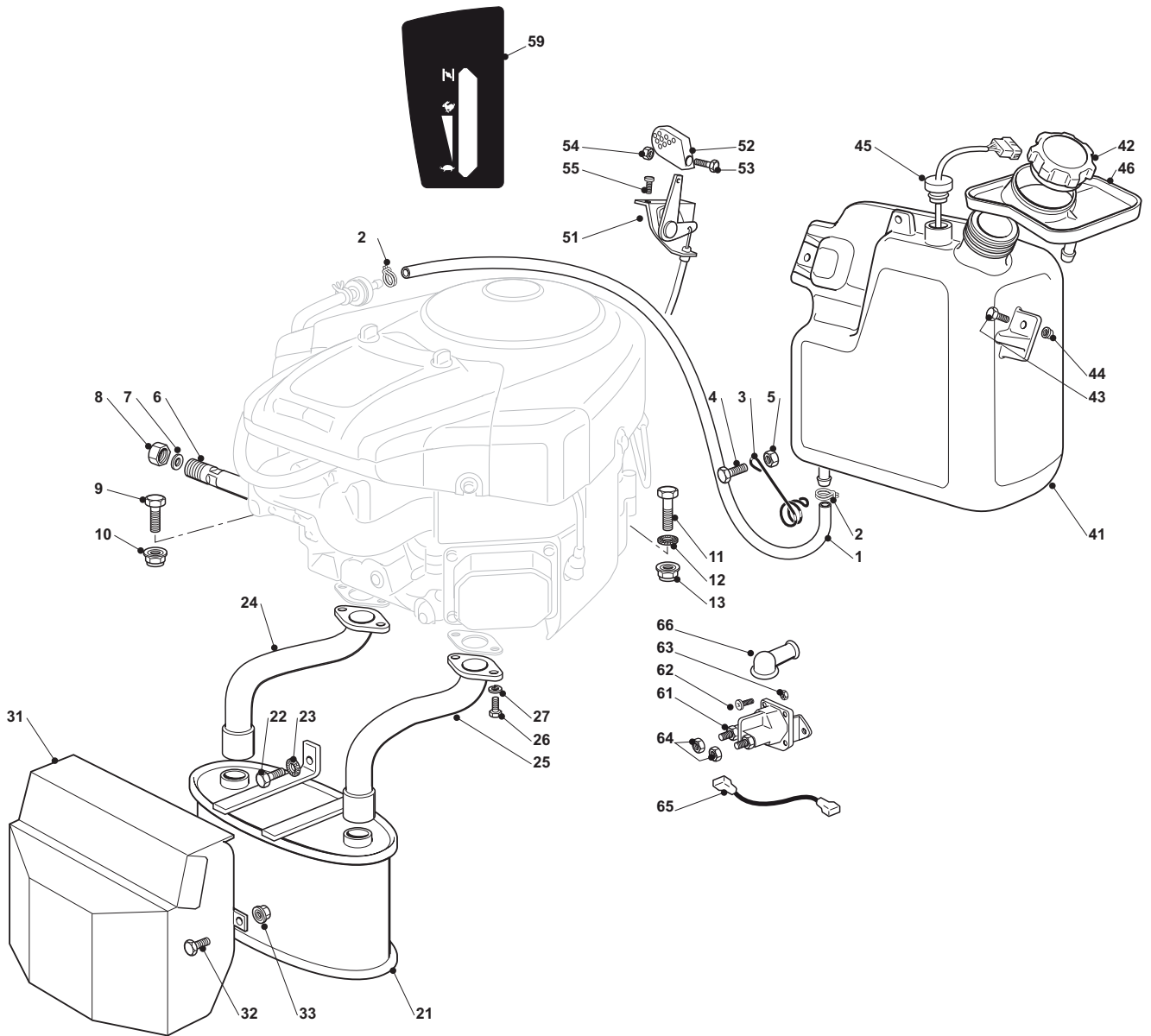
Steering				model 4WD
POSITION	CODE	Q.TY	DESCRIPTION	NOTES
31	118400974/0	1	Transmission Unit	KANZAKI KXH7N
32	382547057/1	1	Support	
33	125040633/0	2	Bush	
34	112760560/0	6	Screw	
35	112585100/0	6	Washer	
37	112695900/0	1	Screw	
38	112521395/0	2	Screw	
39	112295801/0	1	Nut	
61	182000601/1	2	Rimm	
62	25122200/2	4	Bearing	
63	25950000/0	2	Valve	
64	125590012/0	2	Tire	
65	25670005/1	2	Washer	
66	12001010/0	2	Snap Ring	



Brake Controls				
POSITION	CODE	Q.TY	DESCRIPTION	NOTES
1	382500041/0	1	Pedal	
2	25110267/0	1	Clamp Cover	
3	325547081/2	1	Plate	
4	12731601/0	4	Screw	
5	382000554/2	1	Rod	
6	12521350/0	1	Washer	
7	12155000/0	1	Nut	
8	12521350/0	1	Washer	
9	12155000/0	1	Nut	
10	325547281/1	1	Plate	
11	12815210/0	2	Screw	
12	12523040/0	2	Washer	
13	12154510/0	2	Nut	
21	325785143/1	1	Support	
22	12815210/0	2	Screw	
23	12523040/0	1	Washer	
24	12154510/0	2	Nut	
25	325253009/0	1	Hook	
26	22524970/2	1	Pin	
27	25670011/0	1	Washer	
28	12155000/0	1	Nut	
29	125033097/0	1	Rod	
30	24487997/0	1	Cotter Pin	
31	25430213/0	1	Spring	
32	12523040/0	1	Washer	
33	325592001/0	1	Knob	
34	325592002/0	1	Knob	
35	12727815/0	1	Screw	

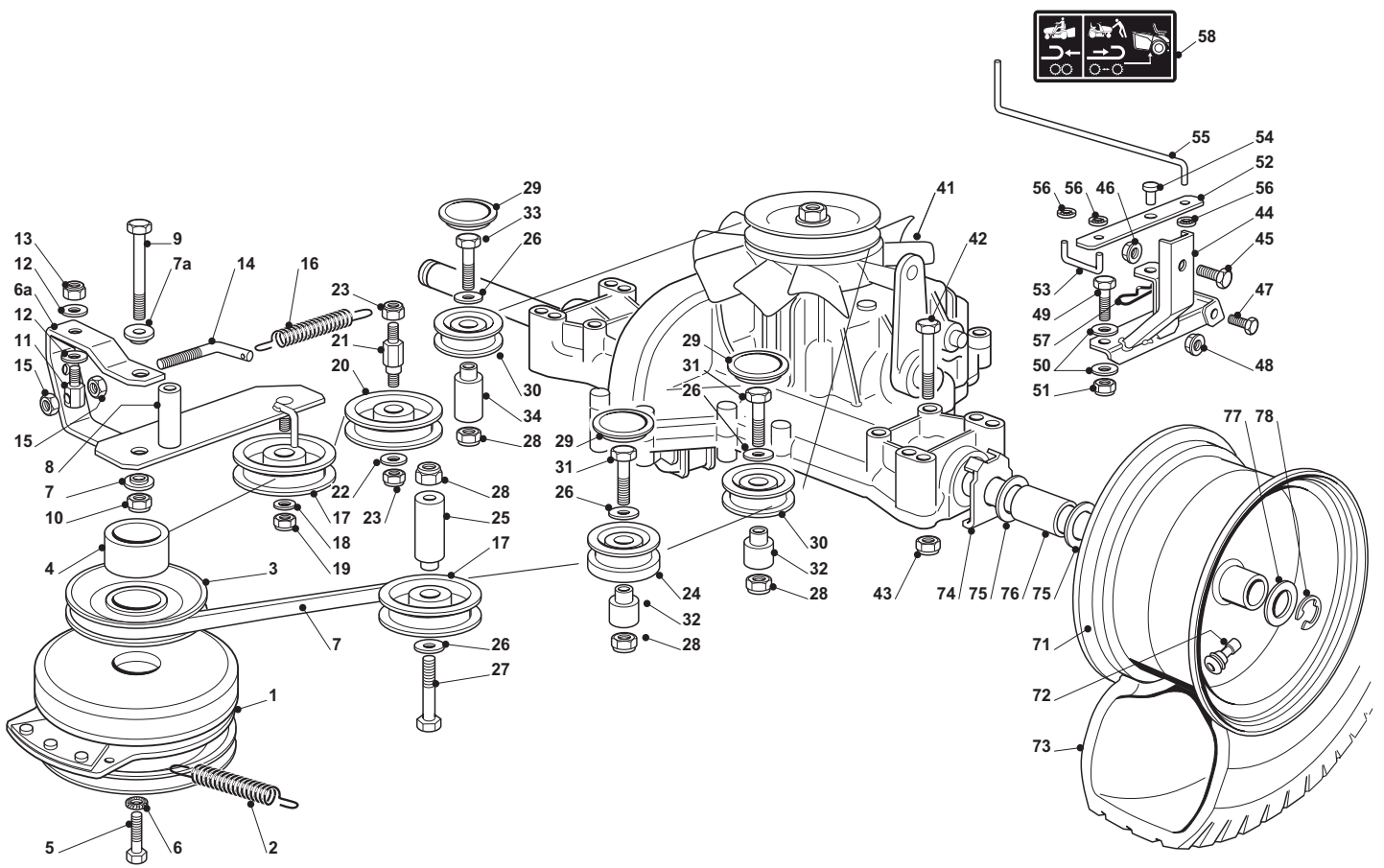


Drive Controls				
POSITION	CODE	Q.TY	DESCRIPTION	NOTES
1	382500045/0	1	Pedal	
2	25110275/0	1	Clamp Cover	
3	12793301/0	2	Screw	
4	382000559/1	1	Axle	
5	12155000/0	2	Nut	
6	125430246/1	1	Spring	
7	325547133/1	1	Plate	
8	12731601/0	4	Screw	
10	12523040/0	4	Washer	
11	382000617/1	1	Axle	
12	25110274/0	1	Clamp Cover Front	
13	325785354/0	4	Support	
14	325034003/0	4	Brass	
15	112815271/0	4	Screw	
16	12154510/0	4	Nut	
17	325547207/0	1	Plate	
18	125510085/1	1	Pin	
19	25670011/0	2	Washer	
20	12521350/0	1	Washer	
21	12000930/0	1	Crown Fastener	
22	125510085/1	1	Pin	
23	25670011/0	2	Washer	
24	12521350/0	1	Washer	
25	12000930/0	1	Crown Fastener	
31	382000612/0	1	Rod	
32	12523060/0	1	Washer	
33	12154510/0	1	Nut	
34	12523040/0	2	Washer	
35	12154510/0	1	Nut	
61	325774477/0	1	Clamp	
62	12815210/0	2	Screw	
63	12292102/0	2	Nut	
64	125040638/0	1	Bush	
65	325022000/1	1	Hook	
66	12691100/0	1	Screw	
67	12523060/0	1	Washer	
68	22672152/0	1	Washer	
69	12155000/0	1	Nut	
70	125033091/0	1	Rod	
71	24487995/0	1	Cotter Pin	
72	25430232/0	1	Spring	
73	325605002/0	1	Button	
74	112726389/0	1	Screw	
75	12290800/0	1	Nut	



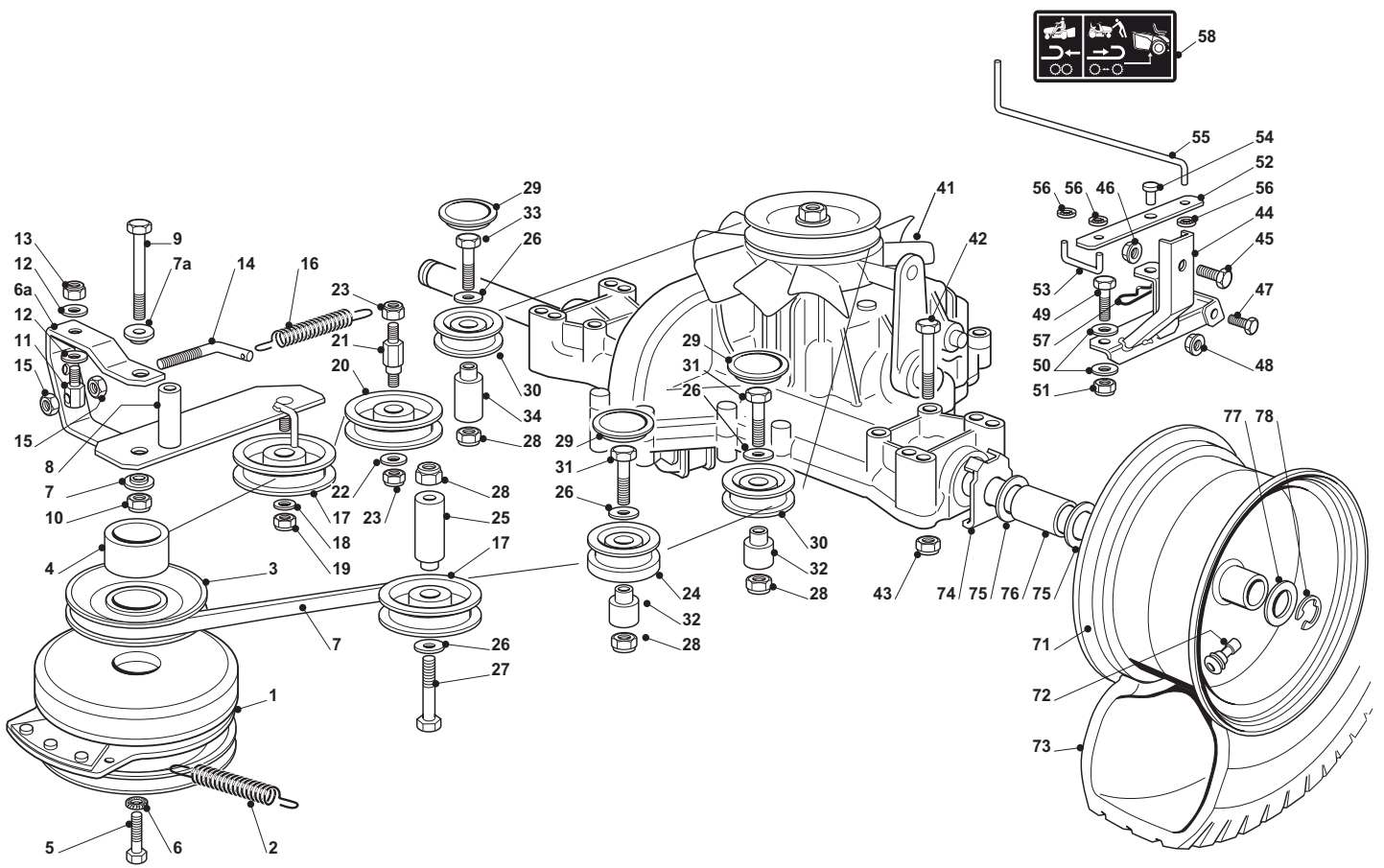
Engine - B&S 20 - 22 - 24 HP

POSITION	CODE	Q.TY	DESCRIPTION	NOTES
1	25869016/1	1	Connecting Tube	
2	18375051/1	2	Fair Led	
3	25430239/1	1	Spring	
4	12790781/0	1	Screw	
5	12292102/0	1	Nut	
6	25598050/0	1	Oil Discharge Extension	
7	18737849/0	1	Oil Cap	
8	18401001/1	1	Oil Seal	
9	12691100/0	3	Screw	
10	12154210/0	3	Nut	
11	12691115/0	1	Screw	
12	12540260/0	1	Washer	
13	12154210/0	1	Nut	
21	182750009/0	1	Muffler	
22	12793301/0	2	Screw	
23	12540260/0	2	Washer	
24	118738236/0	1	Exhaust Right Tube	
25	118738237/0	1	Exhaust Left Tube	
26	12735530/0	4	Screw	
27	12583500/0	4	Grower	
31	382598043/1	1	Guard	
32	12791011/0	2	Screw	
33	12292102/0	2	Nut	
41	325735125/2	1	Tank	
42	325795003/0	1	Cap	
43	12788910/0	2	Screw	
44	12500092/0	2	Rivet	
45	125290002/0	1	Fuel Level Indicator	
46	325600086/0	1	Guard	
51	182000218/0	1	Accelerator	
52	325592000/0	1	Handle	
53	125943012/0	1	Screw	
54	12290800/0	1	Nut	
55	12788512/0	2	Screw	
59	14360717/0	1	Label	
61	18736111/0	1	Starter Relay	
62	12791011/0	2	Screw	
63	12292102/0	2	Nut	
64	12360352/0	2	Nut	
65	25065002/0	1	Cable	
66	18564861/1	1	Protection	





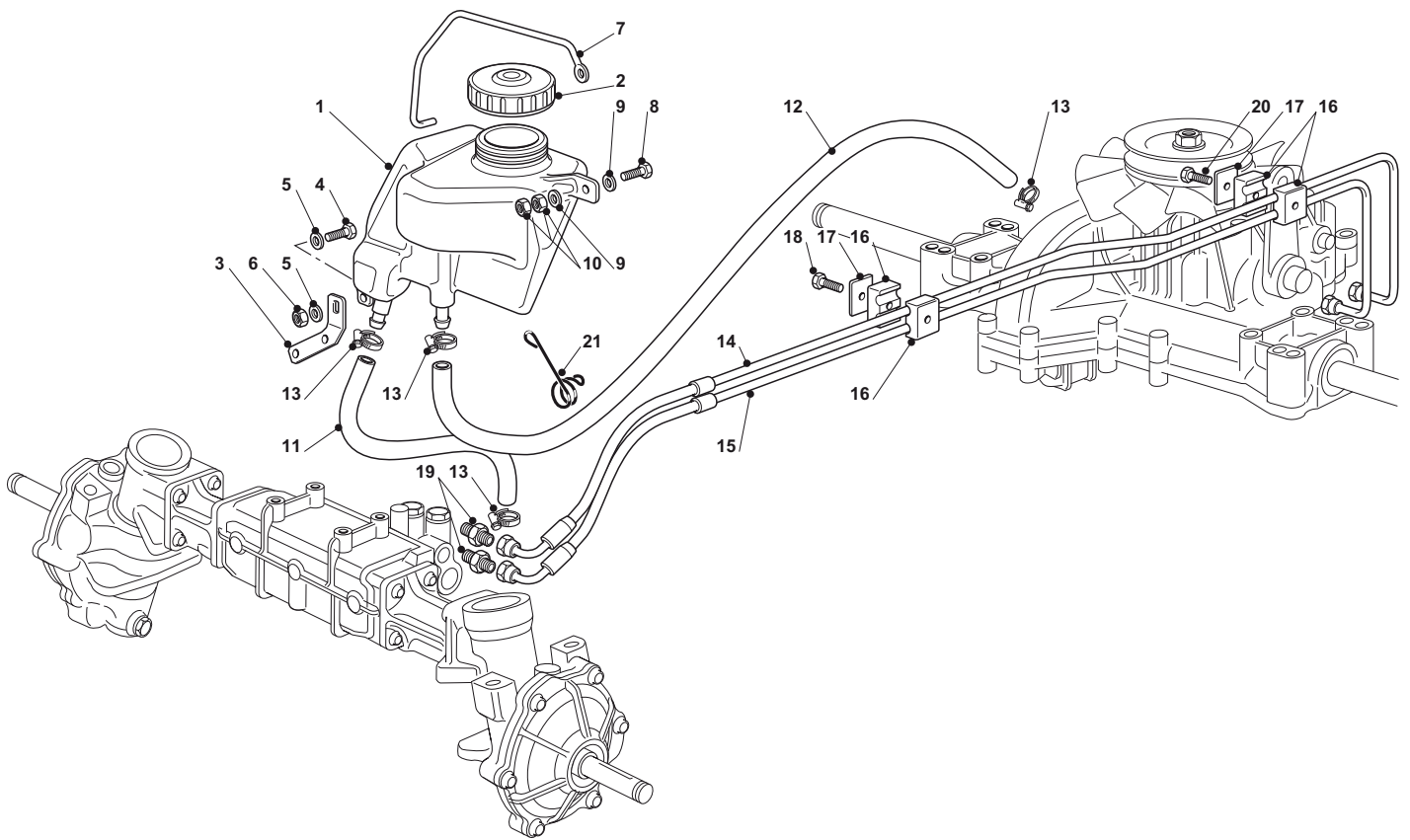
POSITION	CODE	Q.TY	DESCRIPTION	NOTES
1	118399062/0	1	Clutc	
2	125430210/1	1	Spring	
3	125601580/0	1	Pulley	
4	25160021/0	1	Spacer	
5	12737320/0	1	Screw	
6	12543000/0	1	Washer	
6a	382318251/0	1	Lever	
7	135062002/1	1	Belt	
7a	25038002/1	2	Bush	
8	125160054/0	1	Spacer	
9	12793905/0	1	Screw	
10	12155000/0	1	Nut	
11	25510040/1	1	Pin	
12	25670011/0	2	Washer	
13	12155000/0	1	Nut	
14	125840030/0	1	Tie Rod	
15	12293200/0	2	Nut	
16	25430219/0	1	Spring	
17	25601554/0	2	Pulley	
18	12523060/0	1	Washer	
19	12155000/0	1	Nut	
20	25601555/0	1	Pulley	
21	25510036/1	1	Pin	
22	12523060/0	1	Washer	
23	12155000/0	2	Nut	
24	325601584/1	1	Pulley	
25	125160060/0	1	Spacer	
26	12523060/0	4	Washer	
27	12691115/0	2	Screw	
28	12155000/0	4	Nut	
29	25109521/1	3	Cover	
30	325601570/1	2	Pulley	
31	12691115/0	2	Screw	
32	125160030/2	2	Left Spacer	
33	12691400/0	1	Screw	
34	125160024/2	1	Right Spacer	
41	118400975/0	1	Rear Axle	Tuff Torq K574D
42	12691800/0	4	Screw	
43	12154210/0	4	Nut	
44	382785175/0	1	Support	
45	12735120/0	1	Screw	
46	12293201/0	1	Nut	
47	12792611/0	1	Screw	
48	12293201/0	1	Nut	
49	12691115/0	1	Screw	
50	12521350/0	2	Washer	
51	12155000/0	1	Nut	
52	325547229/0	1	Lever	
53	125580031/0	1	Rod	
54	27510111/0	1	Pin	
55	125033079/0	1	Rod	
56	12604896/0	3	Crown Fastener	
57	124487997/0	1	Cotter Pin	
58	114363696/0	1	Label	
71	182000602/0	2	Rimm	
72	25950000/0	2	Valve	
73	125590013/0	2	Tire	
74	325670025/0	2	Washer	



**Transmission Ass.Y**

model 4WD

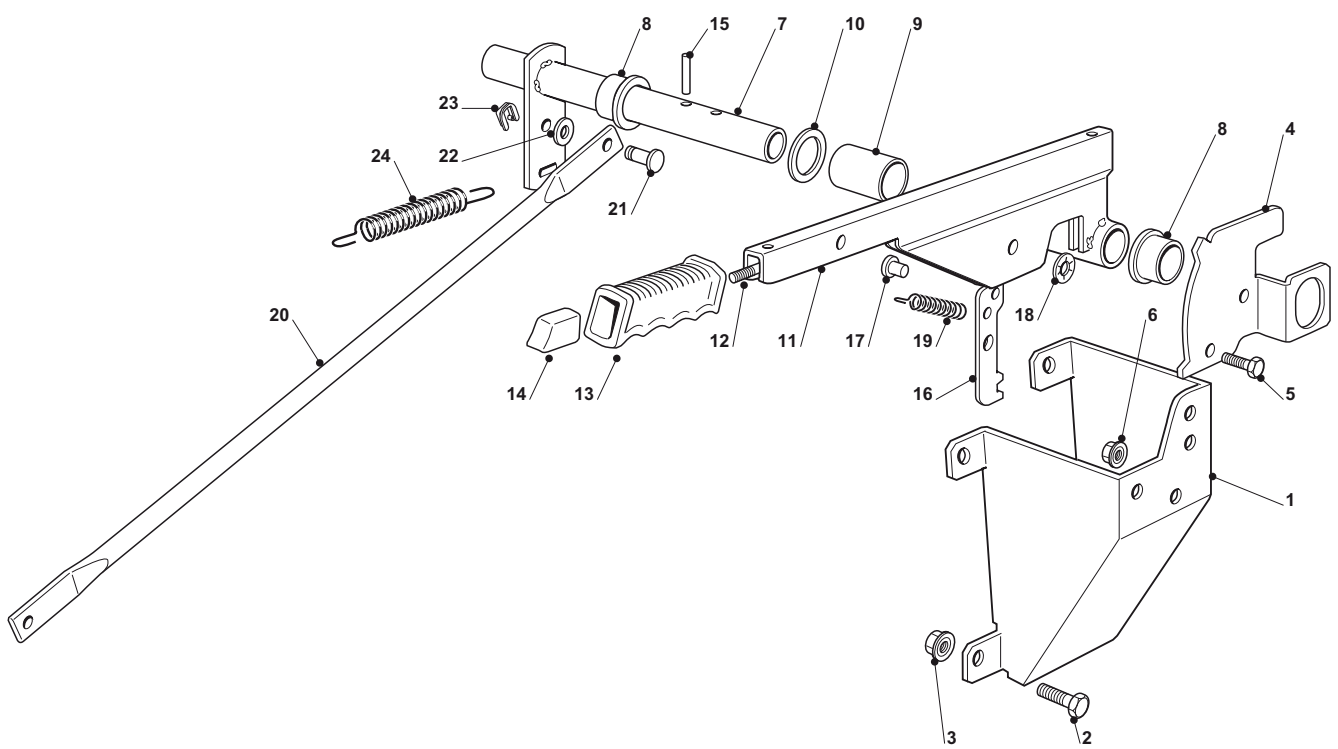
<b>POSITION</b>	<b>CODE</b>	<b>Q.TY</b>	<b>DESCRIPTION</b>	<b>NOTES</b>
75	112521410/0	4	Washer	
76	25160023/0	2	Spacer	
77	25670005/1	2	Washer	
78	12001010/0	2	Snap Ring	



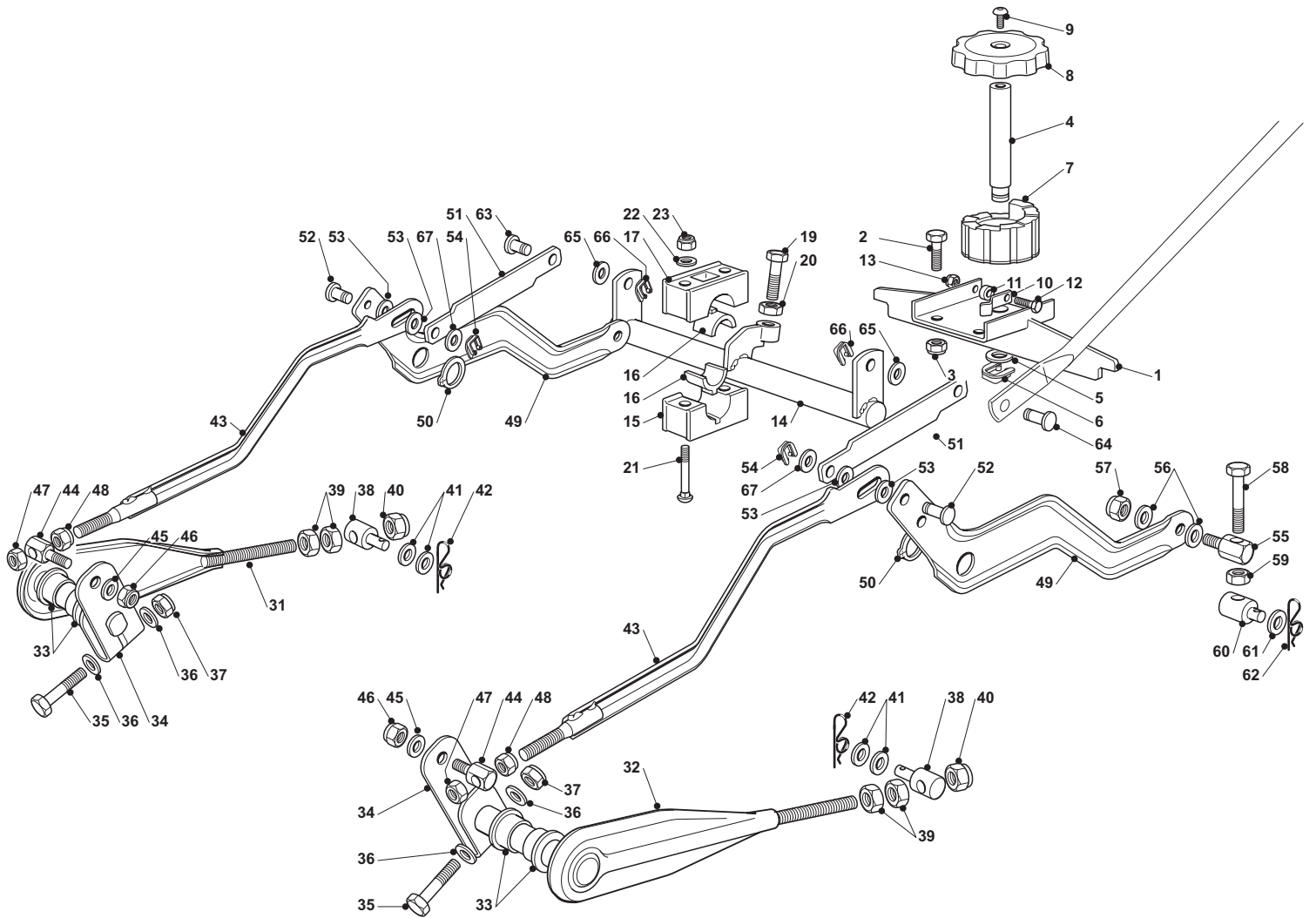
## Transmission Ass.Y

model 4WD

POSITION	CODE	Q.TY	DESCRIPTION	NOTES
1	325735127/0	1	Tank	
2	125795002/0	1	Cap	
3	325755059/0	1	Bracket	
4	12789100/0	1	Screw	
5	12521320/0	2	Washer	
6	12154330/0	1	Nut	
7	125600085/0	1	Guard	
8	12789100/0	1	Screw	
9	12521320/0	2	Washer	
10	12154330/0	2	Nut	
11	325869076/0	1	Connecting Tube	
12	325869077/0	1	Connecting Tube	
13	118375059/0	4	Fair Led	
14	382869200/1	1	Connecting Tube	
15	382869201/0	1	Connecting Tube	
16	325721000/0	4	Support	
17	325547249/0	2	Plate	
18	12689515/0	1	Screw	
19	125651001/0	2	Tube Connection	
20	12674700/0	1	Screw	
21	25430239/1	1	Spring	



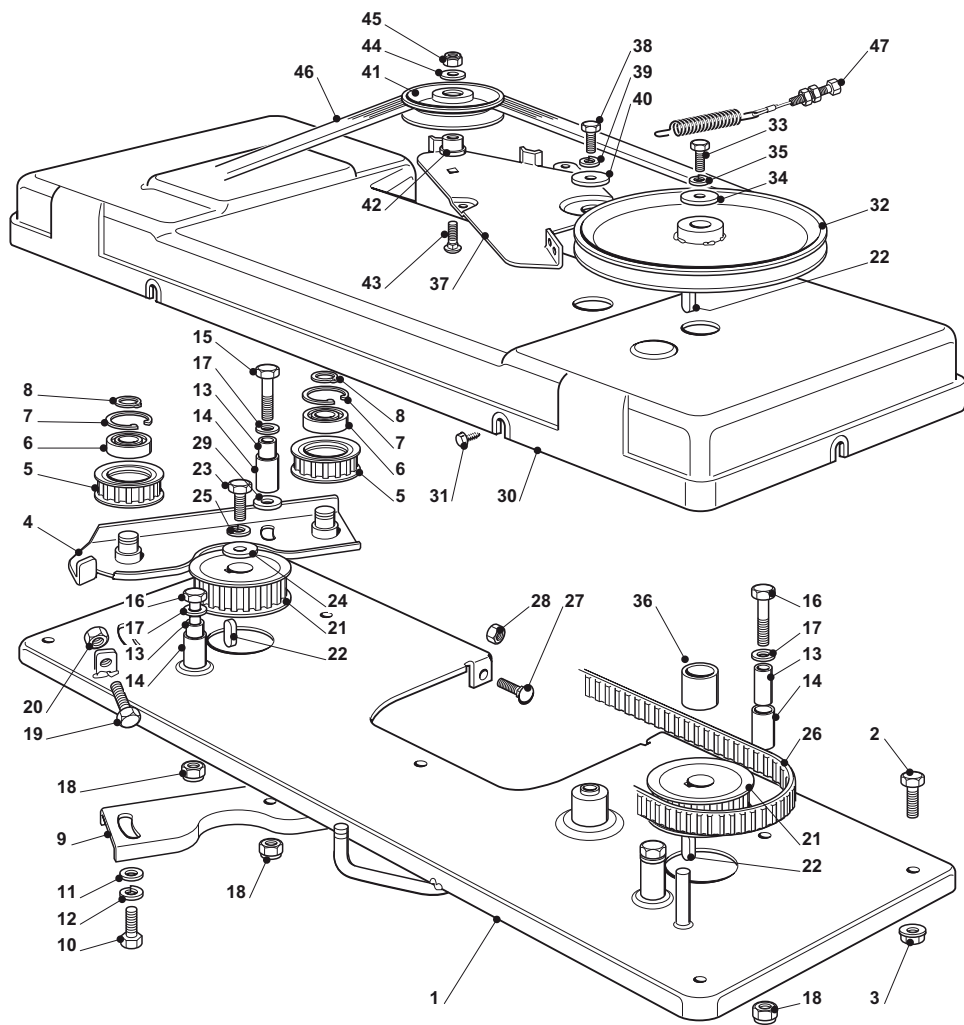
Cutting Plate Lifting				
POSITION	CODE	Q.TY	DESCRIPTION	NOTES
1	325785137/1	1	Support	
2	12791011/0	4	Screw	
3	12292102/0	4	Nut	
4	325735521/0	1	Sector	
5	12793102/0	2	Screw	
6	12293201/0	2	Nut	
7	382000551/0	1	Axle	
8	22034523/0	2	Bush	
9	25160025/0	1	Spacer	
10	22672153/0	1	Washer	
11	382318241/0	1	Lever	
12	125033002/1	1	Rod	
13	25394504/1	1	Knob	
14	25605000/1	1	Button	
15	12620206/0	2	Pin	
16	325470901/1	1	Dog	
17	25510011/0	1	Pin	
18	12604899/0	1	Crown Fastener	
19	25430208/0	1	Spring	
20	325033077/0	1	Connecting Rod	
21	125510117/0	1	Pin	
22	25670011/0	1	Washer	
23	12436050/0	7	Plate	
24	125430218/1	1	Spring	



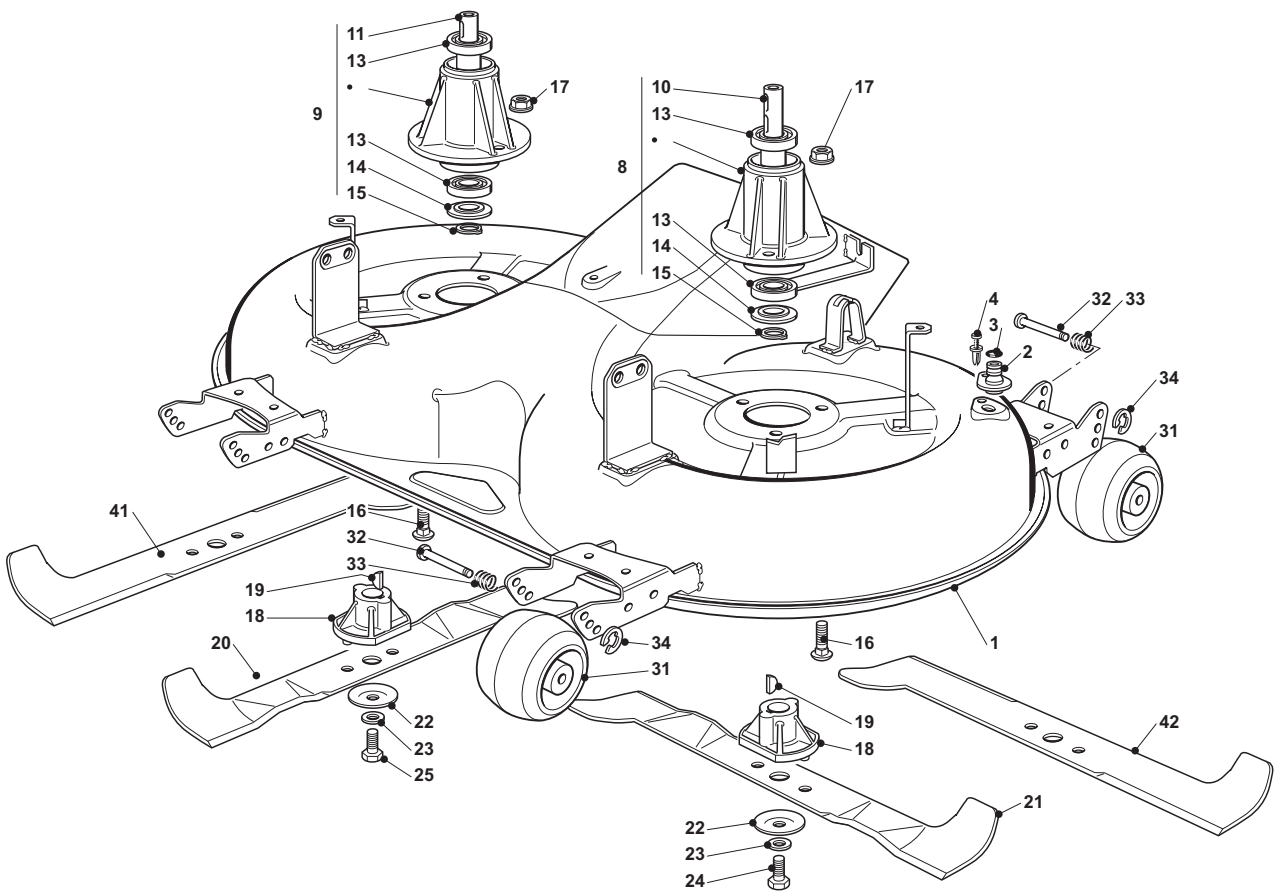


**Cutting Plate Lifting**

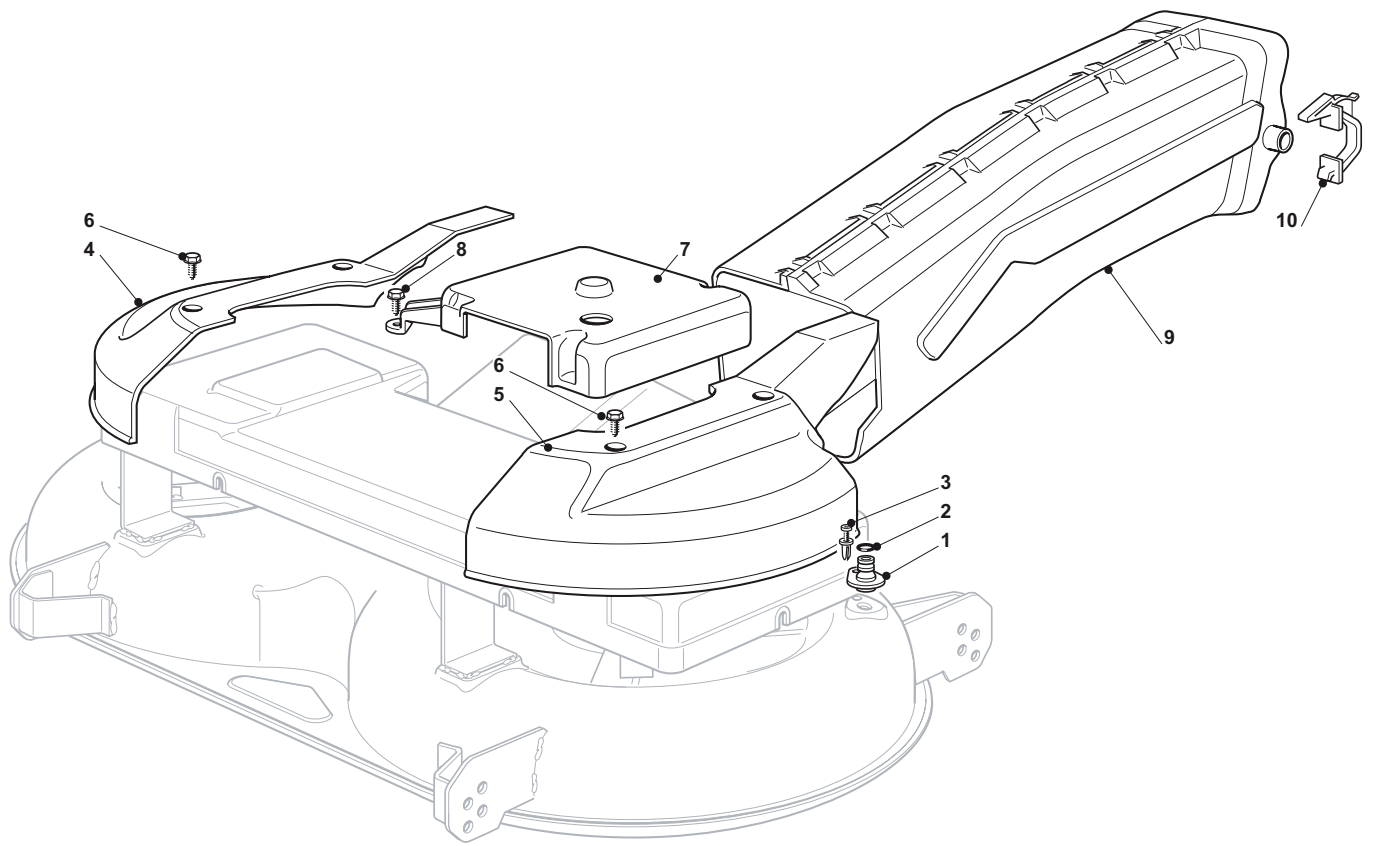
POSITION	CODE	Q.TY	DESCRIPTION	NOTES
1	382785181/1	1	Bracket	
2	12818690/0	2	Screw	
3	12293201/0	2	Nut	
4	125520009/0	1	Axle	
5	22672151/0	1	Washer	
6	12436030/0	1	Plate	
7	325060037/0	1	Cam	
8	325394530/0	1	Knob	
9	112760600/0	1	Screw	
10	325430267/0	1	Spring	
11	22170600/0	1	Spacer	
12	12789195/0	1	Screw	
13	12154320/0	1	Nut	
14	382000615/0	1	Axle	
15	325785355/0	2	Support	
16	325034003/0	4	Brass	
17	325785354/0	2	Support	
19	125943005/0	1	Screw	
20	12295200/0	1	Nut	
21	112815271/0	4	Screw	
22	12523040/0	4	Washer	
23	12154510/0	4	Nut	
31	82318159/0	1	Front Right Lever	
32	82318161/0	1	Front Left Lever	
33	25040605/0	4	Bush	
34	25318161/0	2	Lever	
35	12691700/0	2	Screw	
36	12521350/0	4	Washer	
37	12155000/0	2	Nut	
38	125510069/1	2	Pin	
39	12295200/0	4	Nut	
40	12156602/0	2	Nut	
41	25670008/1	4	Washer	
42	24487998/0	2	Cotter Pin	
43	82000477/2	2	Connecting Rod	
44	125510055/1	2	Pin	
45	12521350/0	2	Washer	
46	12155000/0	2	Nut	
47	12155000/0	2	Nut	
48	12293200/0	2	Nut	
49	25318153/1	2	Rear Lever	
50	12609255/0	2	Seeger	
51	325318223/0	2	Gearshift	
52	125510048/1	2	Pin	
53	25670011/0	4	Washer	
54	12436050/0	2	Plate	
55	25510056/0	2	Pin	
56	25670008/1	4	Washer	
57	12156602/0	2	Nut	
58	12794985/0	2	Screw	
59	12295200/0	2	Nut	
60	25510070/0	2	Pin	
61	12523090/0	2	Washer	
62	24487998/0	2	Cotter Pin	
63	125510117/0	1	Pin	
64	125510048/1	1	Pin	
65	25670011/0	2	Washer	
66	12436050/0	2	Plate	
67	12521350/0	2	Washer	



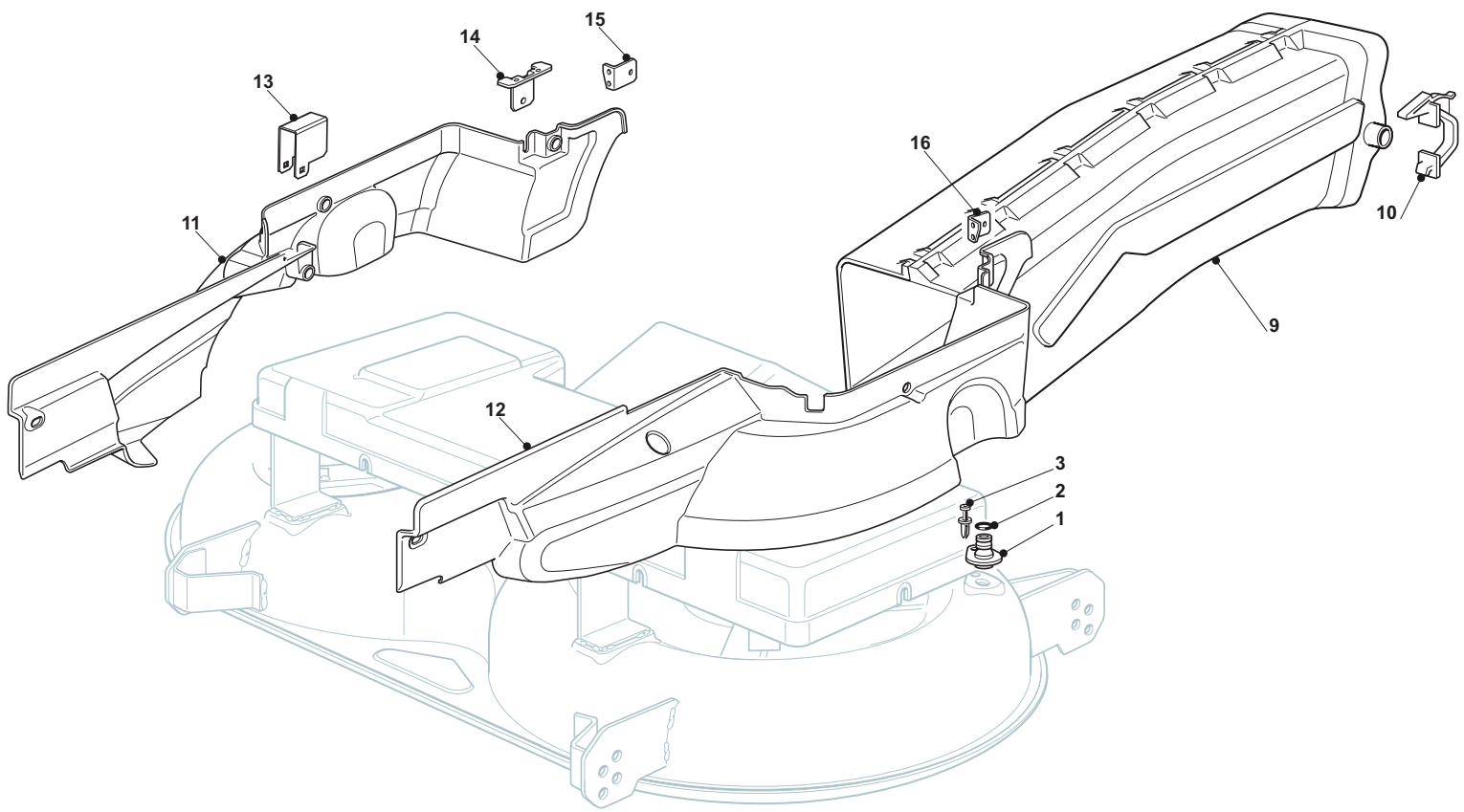
Blades Engagement				
POSITION	CODE	Q.TY	DESCRIPTION	NOTES
1	82547005/1	1	Plate	
2	12792611/0	4	Screw	
3	12293201/0	4	Nut	
4	82785084/1	1	Support	
5	25601561/0	2	Pulley	
6	119216048/0	2	Bearing	
7	12610800/0	2	Snap Ring	
8	12609200/0	2	Seeger	
9	25650037/0	1	Stiffening	
10	12793102/0	2	Screw	
11	12521350/0	2	Washer	
12	12583500/0	2	Grower	
13	25160003/0	4	Spacer	
14	25038000/0	4	Bushing	
15	12691700/0	1	Screw	
16	12691200/0	3	Screw	
17	12521350/0	4	Washer	
18	12155000/0	4	Nut	
19	12793900/0	1	Screw	
20	12293200/0	1	Nut	
21	25601562/0	2	Pulley	
22	12139480/0	3	Key	
23	12793102/0	1	Screw	
24	25670007/0	1	Washer	
25	12583500/0	1	Grower	
26	35065601/0	1	Belt	
27	12815200/0	3	Screw	
28	12292102/0	3	Nut	
29	12523060/0	1	Washer	
30	25060101/2	1	Case	
31	12735110/0	6	Screw	
32	25601549/0	1	Pulley	
33	12793102/0	1	Screw	
34	25670007/0	1	Washer	
35	12583500/0	1	Grower	
36	25160002/0	1	Spacer	
37	25318119/0	1	Brake Lever	
38	12793102/0	1	Screw	
39	12583500/0	1	Grower	
40	12523070/0	1	Washer	
41	25601555/0	1	Pulley	
42	25160007/0	1	Spacer	
43	12818900/0	1	Screw	
44	12523060/0	1	Washer	
45	12155000/0	1	Nut	
46	35062812/0	1	Belt	
47	82004609/0	1	Wire	



Cutting Plate				
POSITION	CODE	Q.TY	DESCRIPTION	NOTES
1	382564213/0	1	Cutting Plate Black	*
1	382564214/0	1	Cutting Plate Red	*
1	382564215/0	1	Cutting Plate Yellow	*
2	25033060/0	2	Water Hose Connection	
3	19035000/0	2	O Ring	
4	12500030/0	2	Rivet	
8	82207200/1	1	Main Shaft Support	
9	82207201/2	1	Secondary Shaft Support	
10	25020800/1	1	Main Blade Shaft	
11	25020801/2	1	Secondary Blade Shaft	
13	19216032/0	4	Bearing	
14	25160501/0	2	Dust Cover	
15	12609260/0	2	Seeger	
16	12818700/0	6	Screw	
17	12154210/0	6	Nut	
18	25463200/0	2	Blade Hub	
19	12139100/0	2	Feather	
20	82004350/0	1	Right Blade Mulching, Winged (Mod. 122)	*
21	82004349/0	1	Left Blade Mulching, Winged (Mod. 122)	*
22	22160400/0	2	Elastic Washer	
23	12523080/0	2	Washer	
24	12735694/0	1	Screw	
25	12735695/1	1	Screw	
31	182700004/0	4	Anti Scalp Wheel Ø 100	
32	125510121/0	4	Pin	
33	22450115/0	4	Spring	
34	12000930/0	4	Crown Fastener	
41	82004343/0	1	Right Blade, Winged (Mod. 122)	*
42	82004342/0	1	Left Blade, Winged (Mod. 122)	*

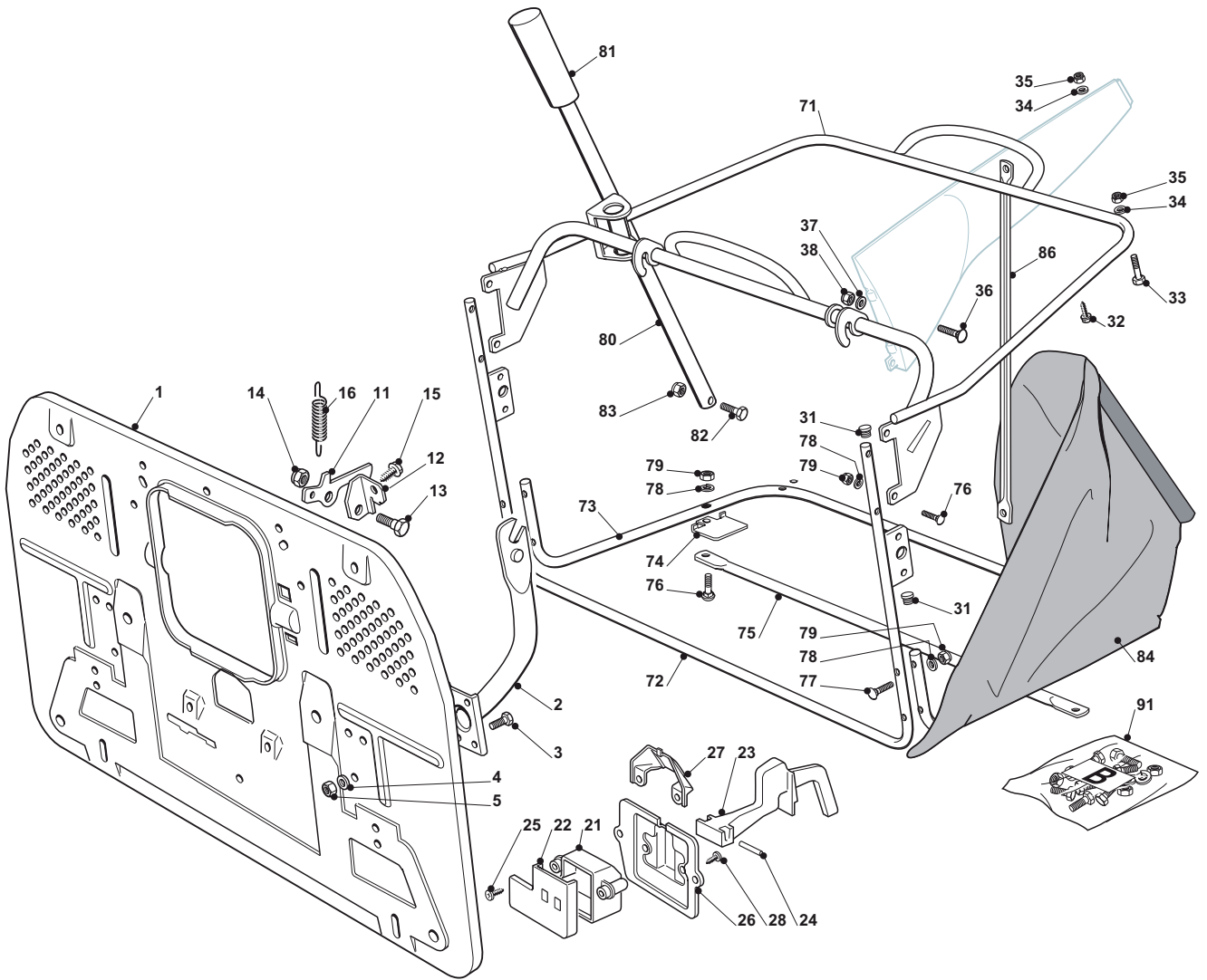


Guards And Conveyor				
POSITION	CODE	Q.TY	DESCRIPTION	NOTES
1	25033060/0	2	Water Hose Connection	
2	19035000/0	2	O Ring	
3	12500030/0	2	Rivet	
4	25060113/0	1	Guard Grey	*
4	25060104/0	1	Guard Black	*
5	25060114/0	1	Guard Grey	*
5	25060105/0	1	Guard Black	*
6	12735403/0	4	Screw	
7	25600050/0	1	Guard	
8	12735403/0	3	Screw	
9	382108019/0	1	Conveyor	
10	25774373/0	2	Clamp	





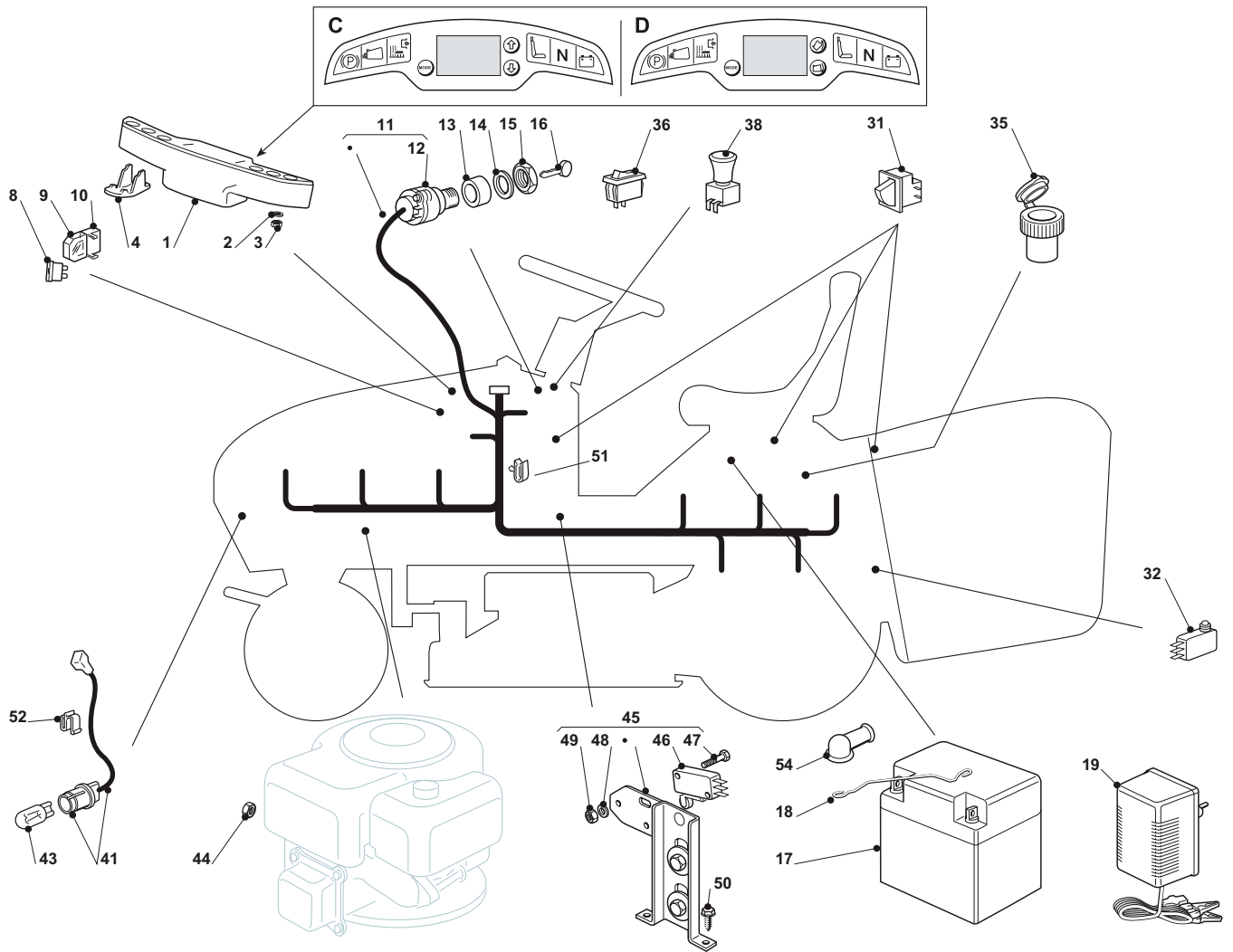
Guards And Conveyor				
POSITION	CODE	Q.TY	DESCRIPTION	NOTES
1	25033060/0	2	Water Hose Connection	
2	19035000/0	2	O Ring	
3	12500030/0	2	Rivet	
9	382108019/0	1	Conveyor	
10	25774373/0	2	Clamp	
11	325060152/0	1	Protection	
12	325060153/0	1	Protection	
13	325774267/0	2	Clamp	
14	325774423/0	2	Clamp	
15	325774425/0	1	Clamp	
16	325774421/0	1	Clamp	



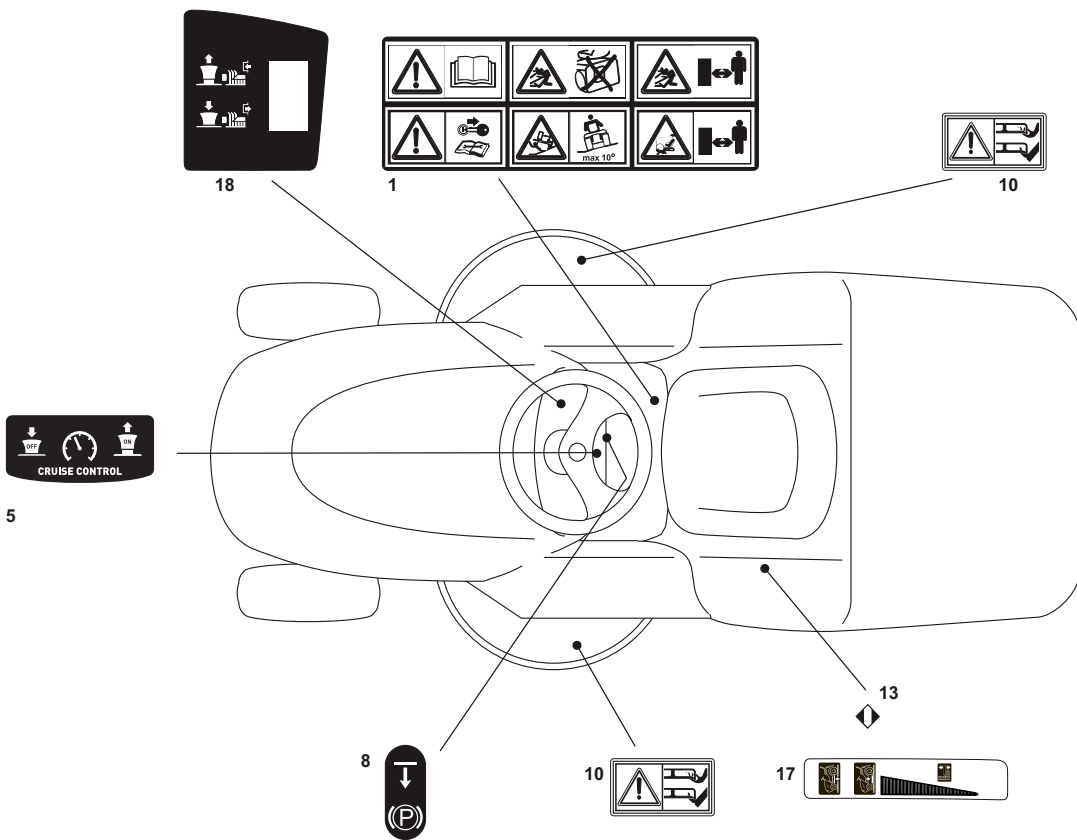
## Grasscatcher

for model with manuel grasscatcher lifting

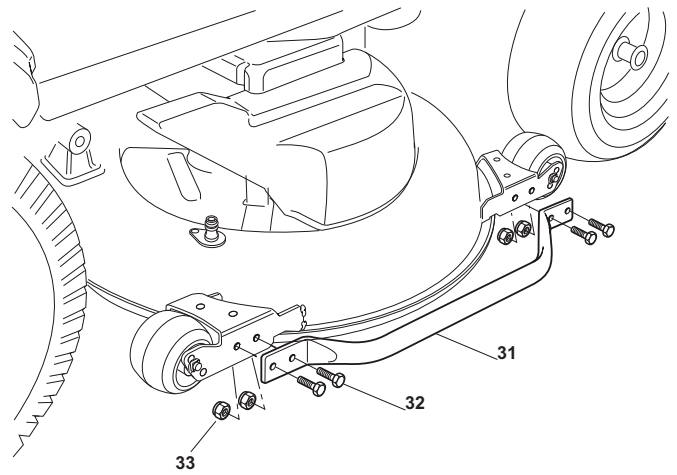
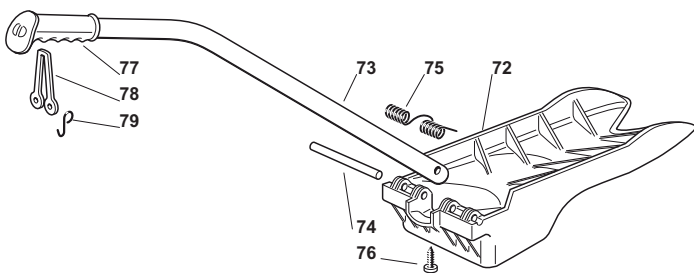
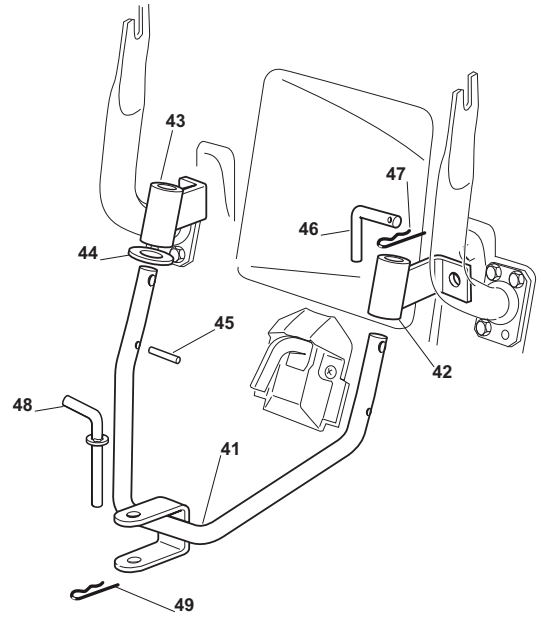
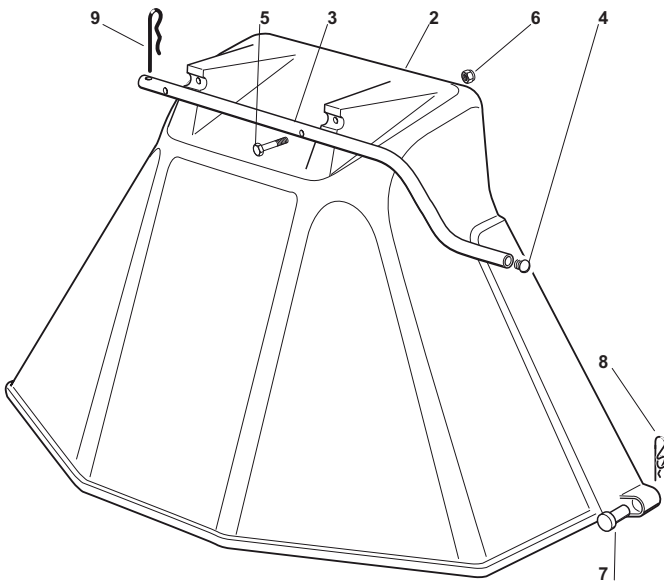
POSITION	CODE	Q.TY	DESCRIPTION	NOTES
1	382547051/0	1	Plate	
2	82774225/1	2	Support	
3	12793102/0	6	Screw	
4	12523060/0	6	Washer	
5	12293201/0	6	Nut	
11	325774417/0	1	Clamp	
12	325755031/1	1	Bracket	
13	125510080/1	1	Pin	
14	12292102/0	1	Nut	
15	12735122/0	1	Screw	
16	27430579/0	1	Spring	
21	25600041/0	1	Micro Protection	
22	25600042/0	1	Protection Cover	
23	25318124/0	1	Lever	
24	12400030/0	1	Pin	
25	12728510/0	1	Screw	
26	25785272/0	1	Micro Protection	
27	25600048/0	1	Deflector Cover	
28	12728450/0	2	Screw	
31	18566110/0	4	Cap	
32	12735410/0	4	Screw	
33	12689500/0	2	Screw	
34	12521330/0	4	Washer	
35	12154510/0	4	Nut	
36	12815220/0	2	Screw	
37	12521330/0	2	Washer	
38	12154510/0	2	Nut	
71	382800123/1	1	Upper Frame	
72	382800089/1	1	Front Frame	
73	325800031/0	1	Lower Frame	
74	25547131/0	1	Plate	
75	382650039/0	1	Lower Stiffening	
76	12815220/0	6	Screw	
77	12815245/0	4	Screw	
78	12521330/0	10	Washer	
79	12154510/0	10	Nut	
80	25869029/1	1	Rod	
81	25394508/0	1	Handle	
82	12674550/0	1	Screw	
83	12154510/0	1	Nut	
84	182105945/0	1	Grasscatcher	
86	325650159/0	1	Rear Stiffening	
91	382180116/0	1	Screws Outfit	



Electrical Parts				
POSITION	CODE	Q.TY	DESCRIPTION	NOTES
1	382722423/2	1	Cards + Guards (C)	
1	382722422/3	1	Cards + Guards (D)	
2	12521320/0	2	Washer	
3	12154330/0	2	Nut	
4	25031501/0	1	Deflector	
8	33340040/0	1	Fuse 10A	only for models with man. grasscatcher lifting
8	33340036/0	1	Fuse 25 A	only for models with man. grasscatcher lifting
9	33215000/0	2	Cover	only for models with man. grasscatcher lifting
10	33500007/0	2	Fuse Carrier	only for models with man. grasscatcher lifting
8	33340040/0	1	Fuse 10A	only for models with ele. grasscatcher lifting
8	33340036/0	1	Fuse 25 A	only for models with ele. grasscatcher lifting
8	33340035/0	1	Fuse 15 A	only for models with ele. grasscatcher lifting
9	33215000/0	3	Cover	only for models with ele. grasscatcher lifting
10	33500007/0	3	Fuse Carrier	only for models with ele. grasscatcher lifting
11	182040179/0	1	Cables Ass.Y (B&S)	only for models with Briggs & Stratton and Kohler engine
11	182040180/0	1	Cables Ass.Y (Honda)	only for models with Honda engines
12	18450072/0	1	Starting Switch	
13	18550136/0	1	Spacer	
14	18550135/0	1	Washer	
15	18400862/0	1	Ringnut	
16	18210022/0	1	Starting Key	
17	118120057/0	1	Battery	
18	25430230/0	1	Spring	
19	182180090/0	1	Battery Charger	EU plug
19	182180091/0	1	Battery Charger (U.K.)	UK plug
31	119410615/0	3	Microswitch	
32	19410605/1	1	Full Grasscatc. Micro	
35	9400-0317-01	1	Auxiliary Accessory Socket	
36	18450060/1	1	Farilamp Switch	
38	18450068/0	1	Clutch Switch	
41	82040073/0	1	Cable	
43	18459100/0	2	Farilamp For Lights	
44	12361005/0	1	Nut	
45	382394853/0	1	Switch Ass.Y	
46	19410609/0	1	Microswitch	
47	12735602/0	2	Screw	
48	12581100/0	2	Grower	
49	12290791/0	2	Nut	
50	12735110/0	2	Screw	
51	33320506/0	5	Fairlead	
52	33320504/0	1	Fairlead	
54	18564864/1	1	Protection	



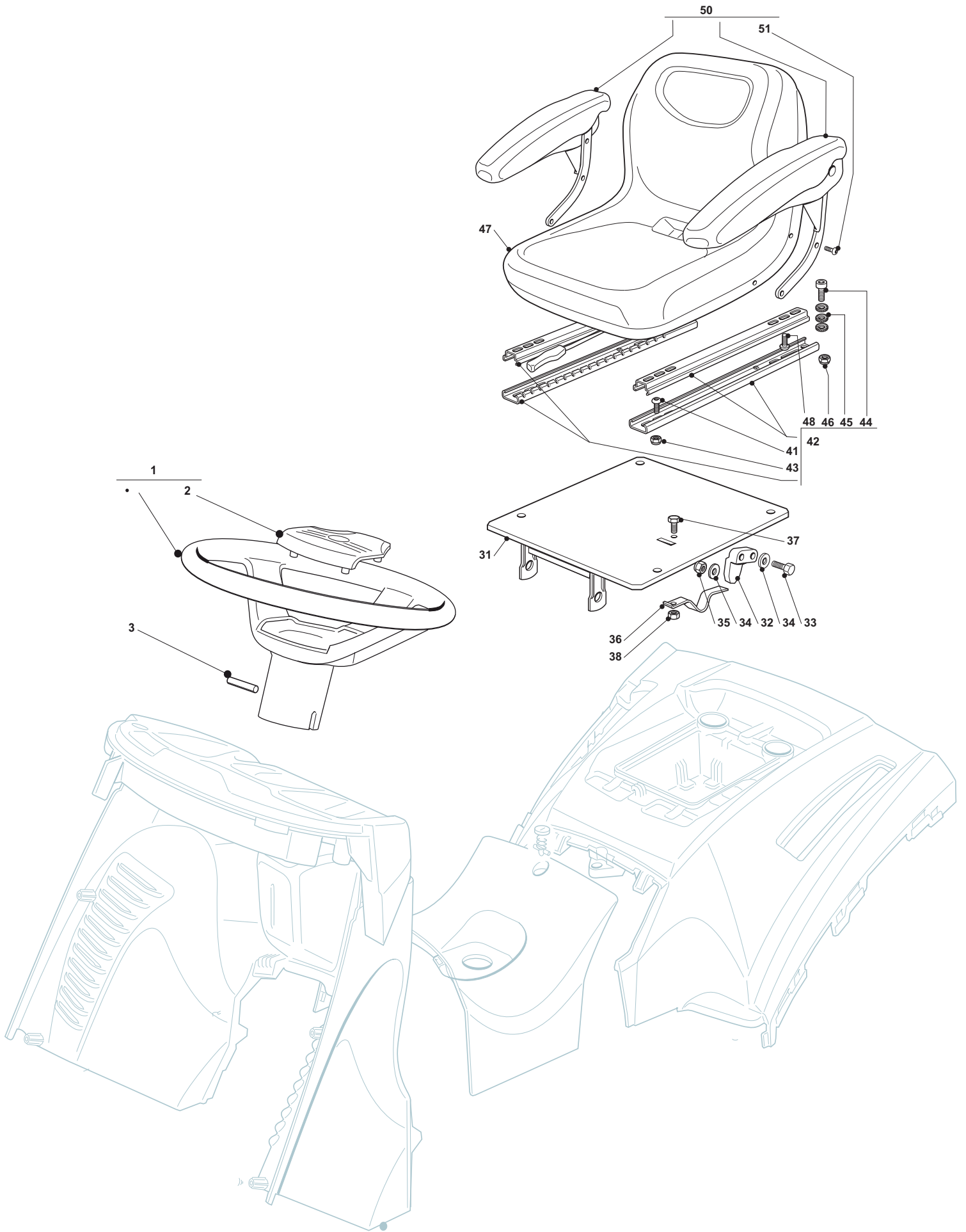
Labels				
POSITION	CODE	Q.TY	DESCRIPTION	NOTES
1	14361553/0	1	Label	
5	114365612/0	1	Label	
10	114356699/1	2	Label	
13	14357913/0	1	Label	
17	114363414/0	1	Label	
18	14360715/2	1	Label	





**Optionals On Request**

POSITION	CODE	Q.TY	DESCRIPTION	NOTES
2	82400003/1	1	Ejection Guard	
3	25869043/0	1	Support	
4	18566112/0	2	Cap	
5	12689515/0	2	Screw	
6	12154510/0	2	Nut	
7	25510022/0	2	Pin	
8	24487998/0	2	Cotter Pin	
9	24487999/0	1	Cotter Pin	
31	325869079/0	2	Guard	
32	12793102/0	8	Screw	
33	12155000/0	8	Nut	
41	382033113/0	1	Rod	
42	382774265/0	1	Bracket Right Hitch Support	
43	382774267/0	1	Bracket Left Hitch Support	
44	112521395/0	2	Screw	
45	12620305/0	2	Pin	
46	125510118/0	2	Pin	
47	24487997/0	2	Cotter Pin	
48	25510021/1	1	Pin	
49	24487999/0	1	Cotter Pin	
72	25140092/0	1	Deflector	
73	325394019/0	1	Handle	
74	25510077/0	1	Pin	
75	25430245/0	1	Spring	
76	12735405/0	1	Screw	
77	25280000/1	1	Handgrip	
78	25840011/1	1	Elastic Tie-Rod	
79	25253004/0	2	Hook	



Seat & Steering Wheel				
POSITION	CODE	Q.TY	DESCRIPTION	NOTES
1	25961210/0	1	Steering Wheel	
2	25580501/0	1	Cap	
3	12620299/0	1	Pin	
31	382735809/0	1	Fixed Seat Supp.	
32	25060033/0	1	Cam	
33	12815050/0	2	Screw	
34	12521320/0	4	Washer	
35	12372550/0	2	Nut	
36	125430275/0	1	Spring	
37	12789195/0	1	Screw	
38	12154330/0	1	Nut	
41	12760605/0	4	Screw	
42	382180115/0	1	Guide Assy	
43	12155000/0	4	Nut	
44	12760515/0	1	Screw	
45	12540060/0	3	Washer	
46	12155000/0	1	Nut	
47	125722473/0	1	Seat	
48	12760605/0	4	Screw	
50	382180112/0	1	Arm-Rest Assy	
51	12760605/0	6	Screw	